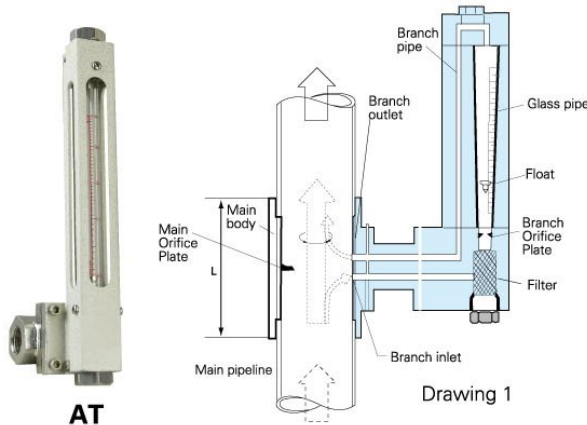




KF600 series Orifice Plate Flowmeter

Operational function:

Illustrated as drawing 1, when the liquid pass through main hole's plate, the pressure difference between front side and back side happens, there is a respondent function relation between the pressure difference and flow speed. Installing a small rotor flowmeter on the in-outlet of branch, i.e. to make that the flow volume through small rotor flowmeter is same to the volume through main pipe, therefore the flow volume's data in main pipe can be read through buoy position and scale on small rotor flowmeter. The cut-off valve installed between measure pipe and indicator can make the flowmeter's take-down or repair conveniently when the main pipe is being in normal working situation.

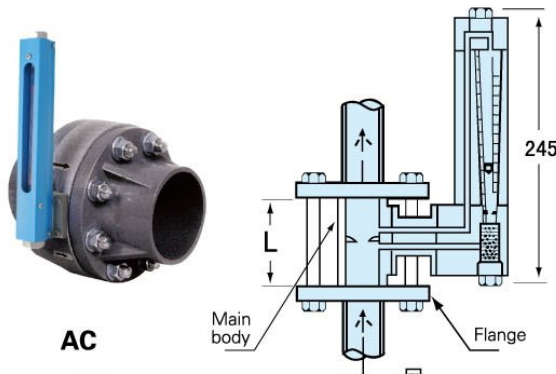


Specification

D N (mm)	Water(m ³ /h)	L(mm)		
		AT	AC	AF
15	0.2-1	70	50	520
20	0.5-2.5	70	50	520
25	1-5	70	50	520
32	1-8	70	50	520
40	2-10	85	50	520
50	4-20	85	50	520
65	6-30	120	50	520
80	7-50	120	50	540
100	15-100	120	50	540
125	30-150	/	50	540
150	40-200	/	50	540
200	60-320	/	50	540
250	90-480	/	50	540
300	160-820	/	50	540

Reading

The flow volume can be read through float position and scale, please see illustration 2.



Manual instruction

Up/Down straight pipe

For purpose to measure the flow speed precisely, recommend to use below straight pipe diameter:

	90° Elbow pipe	Opening valve
Up straight pipe diameter	6D	8D
Down straight pipe diameter	3D	3D

Flow direction

The product can be changed different directions illustrated as drawing 3. the flow direction can divide as: bottom-top, left-right, right-left and top-bottom. It is easy to change flow direction on the spot.

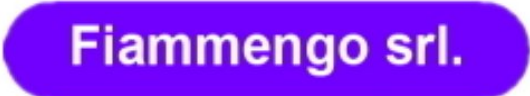
Attention: special flow volume' specification can be customized according to technical data provided by customers.

AT

AC

AF

Drawing 3



Blanco Encalada 1190 - (B1768BIP) - Villa Madero.
 Prov. de Buenos Aires, Argentina.
 Telefax: (+54 11) 4454 8343.
 E-mail: ventas@fiammengo.com.ar